



# LXSG(V)-(15-50)

Vertical Water Meter

# LXSG(V)-(15-50)

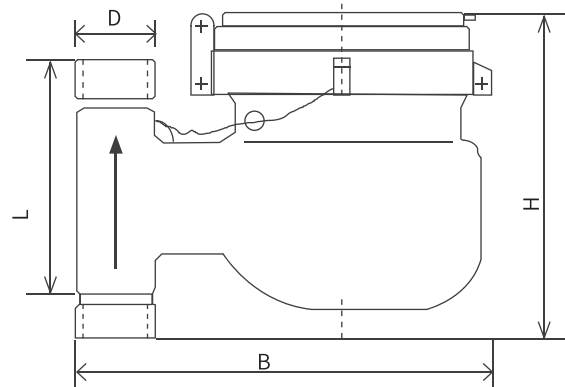
Vertical Water Meter ▼

## Description

This range of water meter is used to measure the total quantity of cold(hot) potable water which consumed in household or a resident unit, passing through the pipeline.

## Feature

- Wet-dial,dry dial or liquid sealed for option
- Multi-jet
- Measuring accuracy conform to ISO 4064 Class B standard
- Installed in vertical pipeline and is suitable for household as branch meter
- Pulse Option



HYDRAULIC PERFORMANCE							
Size	mm	Dn15	Dn20	Dn25	Dn32	Dn40	Dn50
	inches	½"	¾"	1"	1¼"	1½"	2"
Class		ISO4064(B)					
Qs	m <sup>3</sup> /h	3	5	7	12	20	30
Qp	m <sup>3</sup> /h	1.5	2.5	3.5	6	12	15
Qt	m <sup>3</sup> /h	120	200	280	480	800	3000
Qmin	m <sup>3</sup> /h	30	50	70	120	200	450
TECHNICAL SPECIFICATIONS							
Maximum permissible error Between Q1and Q2(excluded)		±5%					
Maximum permissible error Between Q2(included)and Q4		±2% with water temperature ≤ 30°C ±3% with water temperature >30°C					
Temperature class		Cold water:0°C ~40°C Hot water:40°C ~90°C					
Nominal pressure	bar	10/16	10/16	10/16	10/16	10/16	10/16
Min reading	m <sup>3</sup>	0.0001	0.0001	0.0001	0.0001	0.0001	0.0001
Max reading	m <sup>3</sup>	99,999	99,999	99,999	99,999	99,999	99,999
Pulse options	l/imp.	10L	10L	10L	10L	10L	10L
DIMENSIONS							
L	mm	135	135	160	/	/	/
B	mm	100	100	99	/	/	/
H	mm	105	105	108	/	/	/
CONNECTING THERAD							
		G¾"B	G1"B	G1¼"B	G1 ½"B	G2"B	G2½"B