



High performance
drops of measurement



LXF-(50-200)

Combination Water Meter

LXF-(50-200)

Combination Water Meter ▼

Function

Measuring the volume of cold or hot water passing through the pipeline.

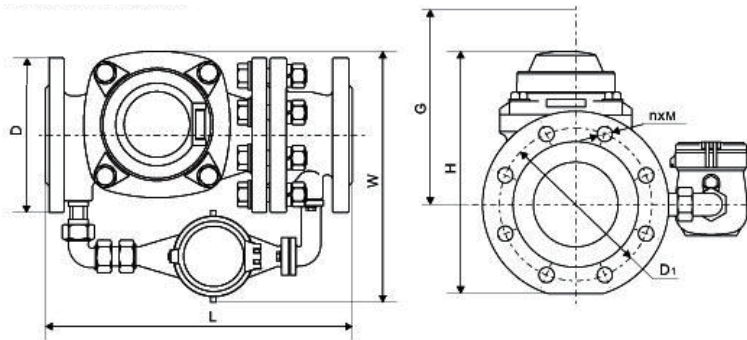
Feature

In-line type of water meter comprising one large flow rate meter, one small flow rate meter and a change over device that depending on the magnitude of the flow rate passing through the meter automatically directs the flow through either the small or large meter or both. So the flow rate range of the meter compared with other types of meter is more widely. It is easy for maintenance for its removable measuring unit and directly magnetic coupling transmission. For the small meter, the wet dial register type and the liquid-sealed register type are on option.

Pulse Option

Dimension Picture

♦ The height "g" is necessary for removing the measuring unit



HYDRAULIC PERFORMANCE						
Size	mm	50×15	80×20	100×20	150×40	200×50
	inches	2"×½"	3"×¾"	4"×¾"	6"×1½"	8"×2"
Metrological class		R(Q3/Q1) ≤ 1250 Q2/Q1 ≤ (1.6/4)				
Q3	m ³ /h	25	63	100	250	400
TECHNICAL SPECIFICATIONS						
Maximum permissible error Between Q1 and Q2 (excluded)		±5%				
Maximum permissible error Between Q2 (included) and Q4		±2% with water temperature ≤ 30°C ±3% with water temperature > 30°C				
Temperature class		Cold water: 0°C ~ 40°C Hot water: 40°C ~ 90°C				
Pressure loss class		△ p63				
Nominal pressure	bar	10/16	10/16	10/16	10/16	10/16
Min reading	m ³	0.0001	0.0001	0.0001	0.001	0.001
Max reading	m ³	999999+	999999+	999999+	999999+	999999+
		99,999	99,999	99,999	99,999	99,999
DIMENSIONS						
L	mm	300	370	370	500	560
W	mm	165	310	330	445	525
H	mm	/	279	289	319	375
Weight	kg	14.8	27.5	33	64	114.5
CONNECTING BOLTS						
Outside diameter	mm	165	200	220	285	340
Bolt circle diameter	mm	125	160	180	240	295
Connecting bolts		4-M16	8-M16	8-M16	8-M20	8-M20/12-M20